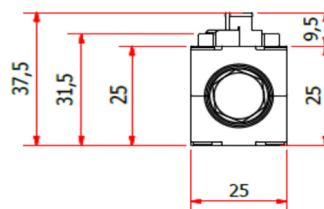
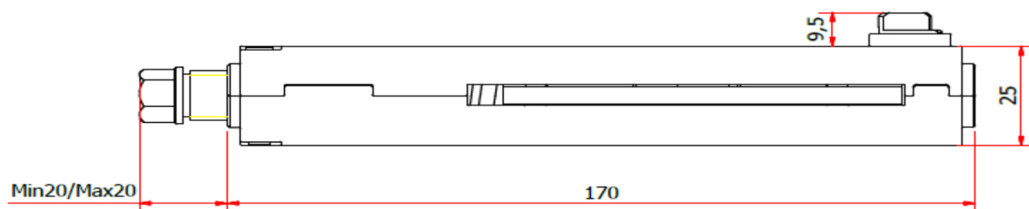
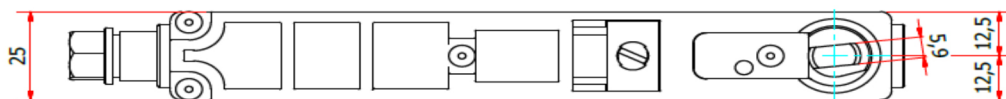


Soft Power 25 is a brand new mechanical self-closing device for all doors up to 25Kg total weight. The device is equipped with a fluid damper providing an adjustable soft-closing action.



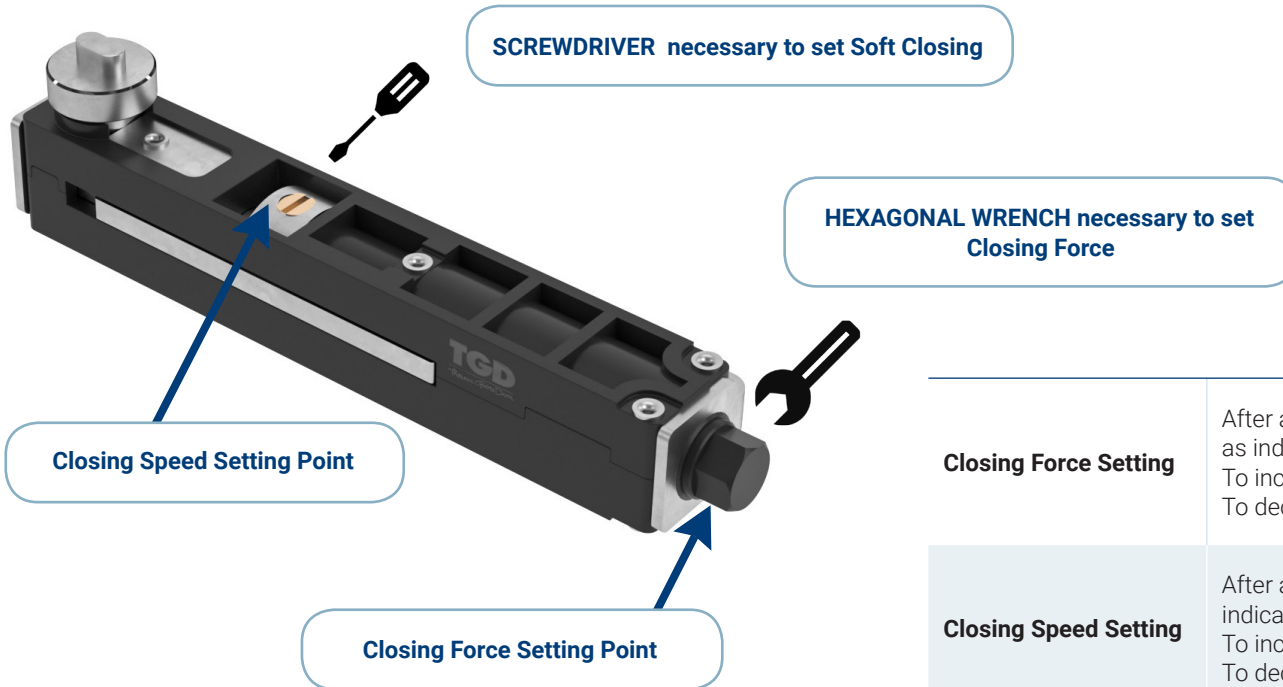
DIMENSIONS



DESCRIPTION

Functionality	Mechanical + Hydraulic
Materials	Plastic body and galvanized steel
Min. Operating Temperature	+ 10°C
Max. Operating Temperature	+ 50°C
Max. Door Load	25 Kg
Closing Force Setting	✓
Closing Speed Setting	✓
Operating angle	From 0° to 69°
Inertial Range	From 70° to 105°
Maximum opening degree	105 ± 5°
Maximum opening stopper	105 ± 5°
Weight	300 g

Setting instruction



SETTING INSTRUCTIONS

Closing Force Setting	After assembling the doors, set the closing force with a hexagonal wrench as indicated in the picture above. To increase the closing force of the door, turn clockwise. To decrease the closing force of the door, turn anticlockwise.	
Closing Speed Setting	After assembling the doors, set the closing speed with a screwdriver as indicated in the picture above. To increase the closing speed of the door, turn the screw anticlockwise. To decrease the closing speed of the door, turn the screw clockwise.	
Life Cycles Warranty	500,000 complete cycles	Tested with an electro-pneumatic device. Tested in dry and wet conditions. Tested with a 1800mm high door 10mm inclined to the front.
Product maintenance free		

Warning: check with a level that the door is perfectly straight before starting to use Soft Power 25