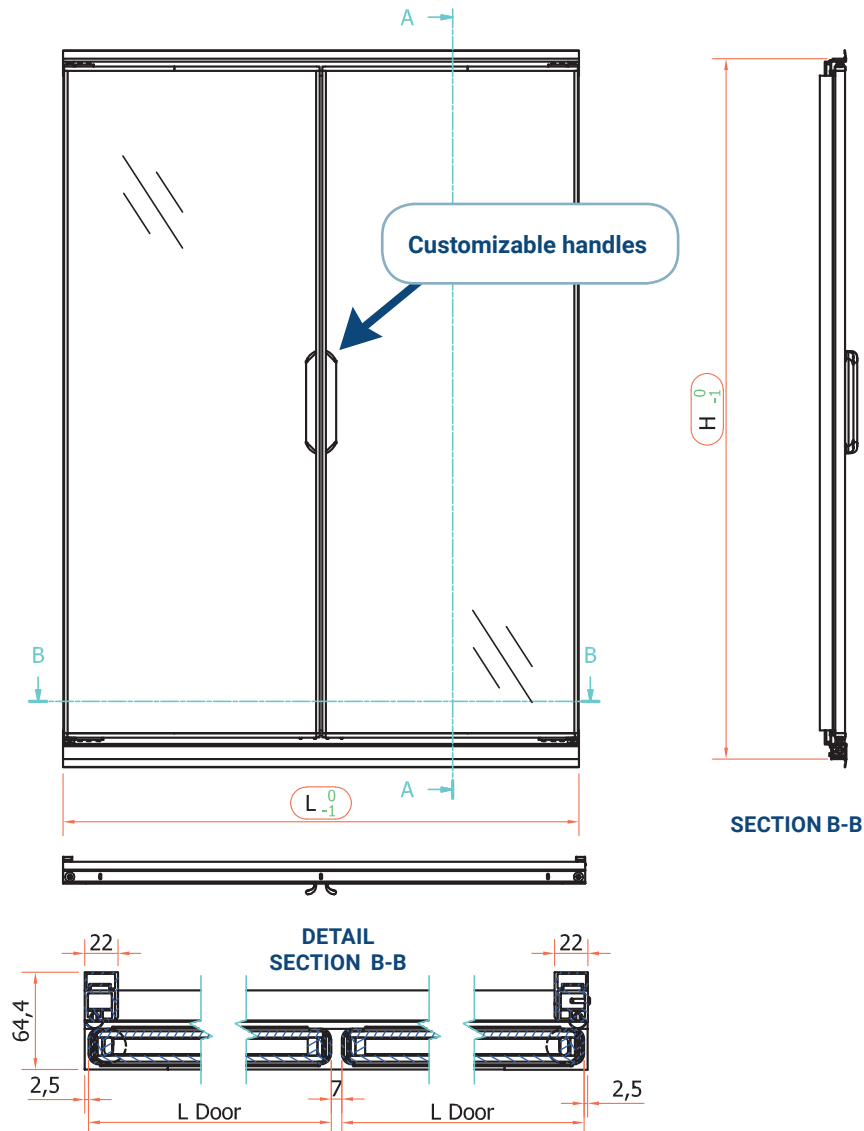


*E-Cut Slim is the most popular Energy Saving Glass Door Solution for Normal Temperature Multideck appliances*



**ALL DIMENSIONS AVAILABLE ON DEMAND**

## DOOR FEATURES

Swing doors made of double safety tempered glass unit complying with the UNI 12150 standard

High visibility of displayed products thanks to thin profile surrounding the insulated glass (only 15mm)

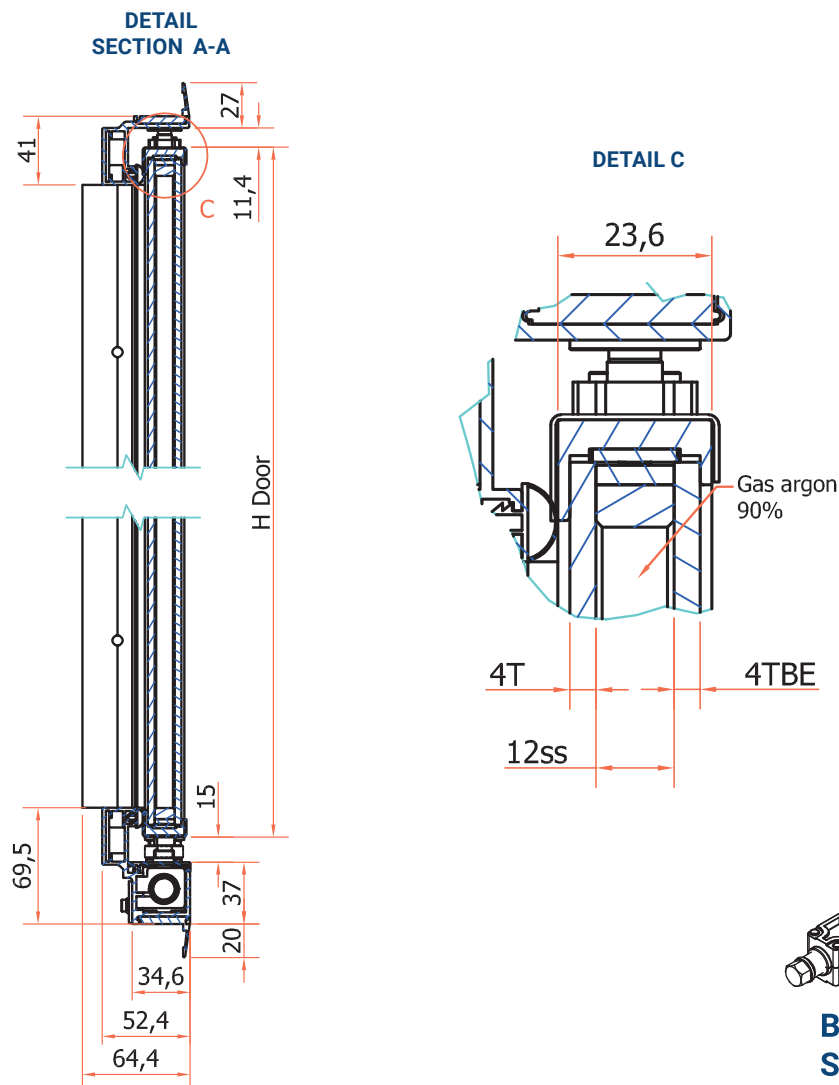
1.3 Ug Value insulated glass

82% Light transmission

98% colour rendering

Customizable handles

*E-Cut Slim is the most popular Energy Saving Glass Door Solution for Normal Temperature Multideck appliances*



**ALL DIMENSIONS AVAILABLE ON DEMAND**

## FRAME FEATURES

Available colours: RAL 7035 or RAL 7015

Frame kit made of transoms only or completed with mullions for light fitting

Modular concept: frames can be alternated according to any possible lay-out of the display units

“Easy Fitting” concept: quick and easy installation of the pre-assembled frames

Energy free frame, «0» maintenance

Self-closing devices pre-assembled in the bottom transom: “Soft Power 25” or “G Torque”

**Bottom hinge  
Soft Power 25**