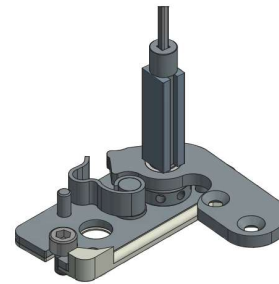
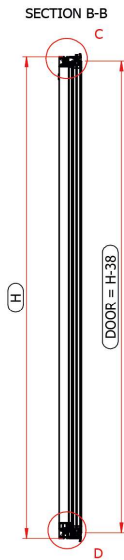
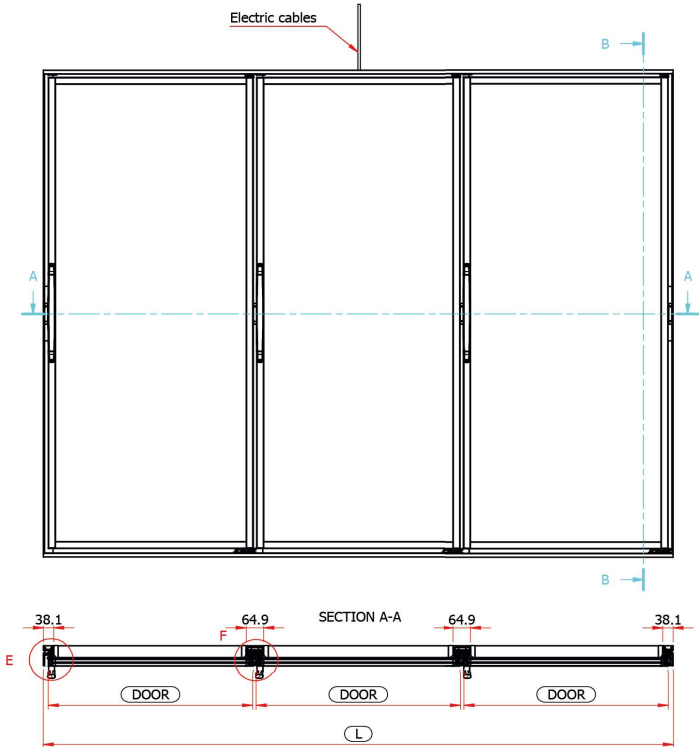


Energy Saving Line-Up System with Framed Doors for freezing displays



ALL DIMENSIONS AVAILABLE ON DEMAND

0 ENERGY ALUMINIUM FRAMED GLASS DOOR

Triple insulated glass with security exterior layers according to UNI-EN 12150-1 standard

Ug 0,8 insulated glass unit

Internal glass surface antifog protected

5% products visibility increase

PVC and Aluminium combined frame

0 Energy" door complying with UNI 23953-2 Class 3 requirements

Exclusive design and full height comfortable grip handle

Reversible door, left to right hand

Adjustable self-closing action by torsion bar

Manual open wide door retainer

LOW ENERGY MASTER FRAME

40% heating power reduction v/s standard heating configuration

5% products visibility increase

Frame compliant to UNI 23953-2 Class 3

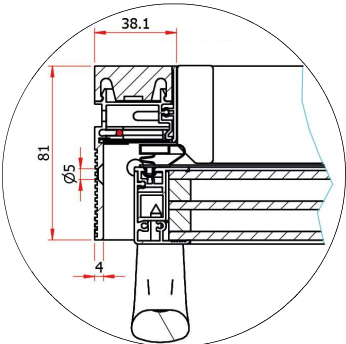
Silver satin aluminium and black colour available

Frame compatible with Aluminium Framed or Full Glass Doors by TGD

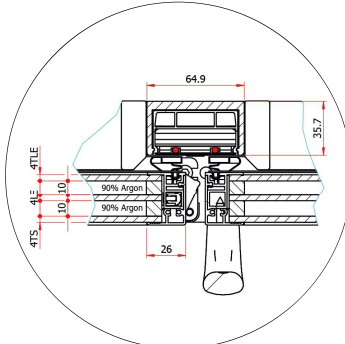
Available configurations: 1, 2, 3, 4 and 5 openings

Led on board or led pre-wired configuration available

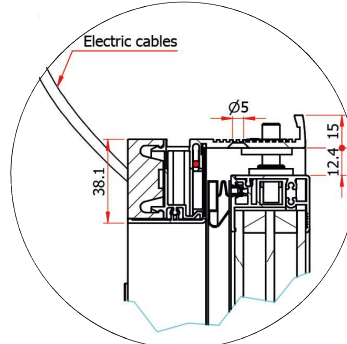
Detail E



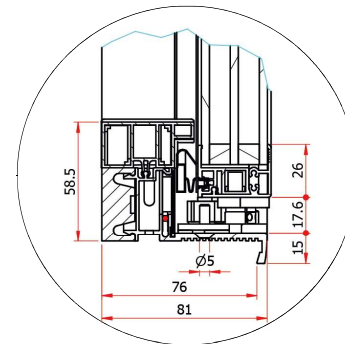
Detail F



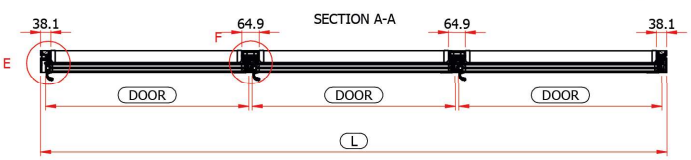
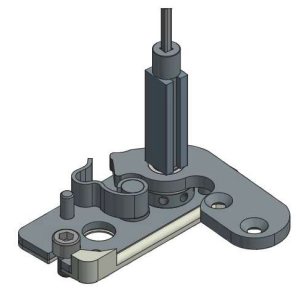
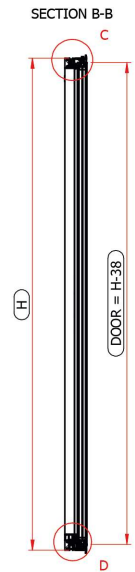
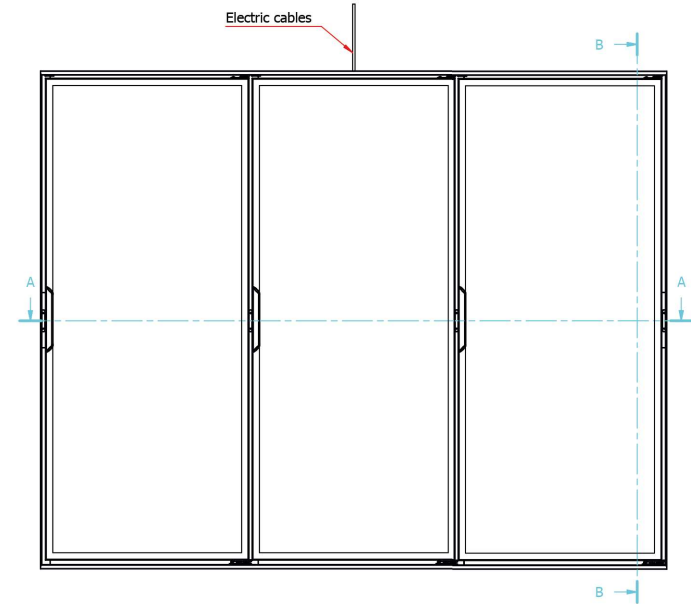
Detail C



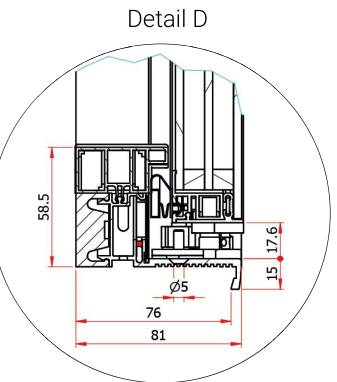
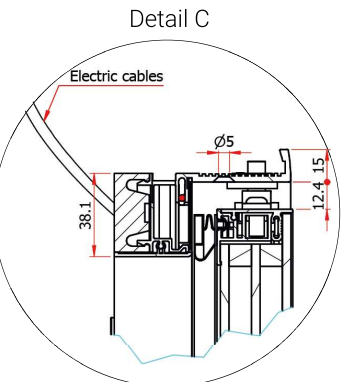
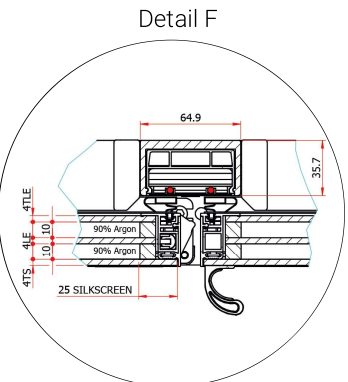
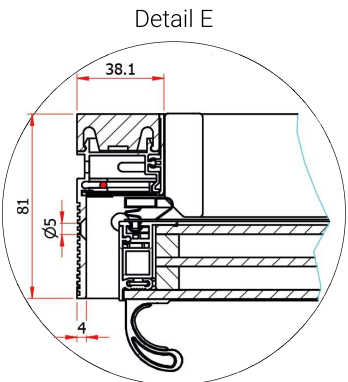
Detail D



Energy Saving Line-Up System with Full Glass Doors for freezing displays



ALL DIMENSIONS AVAILABLE ON DEMAND



0 ENERGY ALUMINIUM FRAMED GLASS DOOR

- Full Glass door with customizable digital silk screen
- Triple insulated glass with security exterior layers according to UNI-EN 12150-1 standard
- Ug 0,9 insulated glass unit
- Internal glass surface antifog protected
- 5% products visibility increase
- PVC and Aluminium combined frame
- "0 Energy" door complying with UNI 23953-2 Class 3 requirements
- Stylish design optimised by full height or short grip handle
- Reversible door, left to right hand
- Adjustable self-closing action by torsion bar
- Manual open wide door retainer

LOW ENERGY MASTER FRAME

- 40% heating power reduction v/s standard heating configuration
- 5% products visibility increase
- Frame compliant to UNI 23953-2 Class 3
- Silver satin aluminium and black colour available
- Frame compatible with Aluminium Framed or Full Glass Doors by TGD
- Available configurations: 1, 2, 3, 4 and 5 openings
- Led on board or led pre-wired configuration available